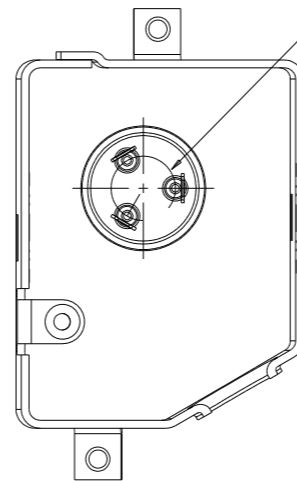
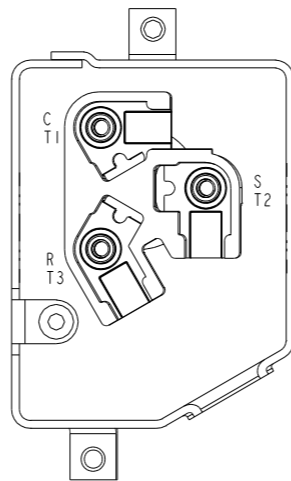
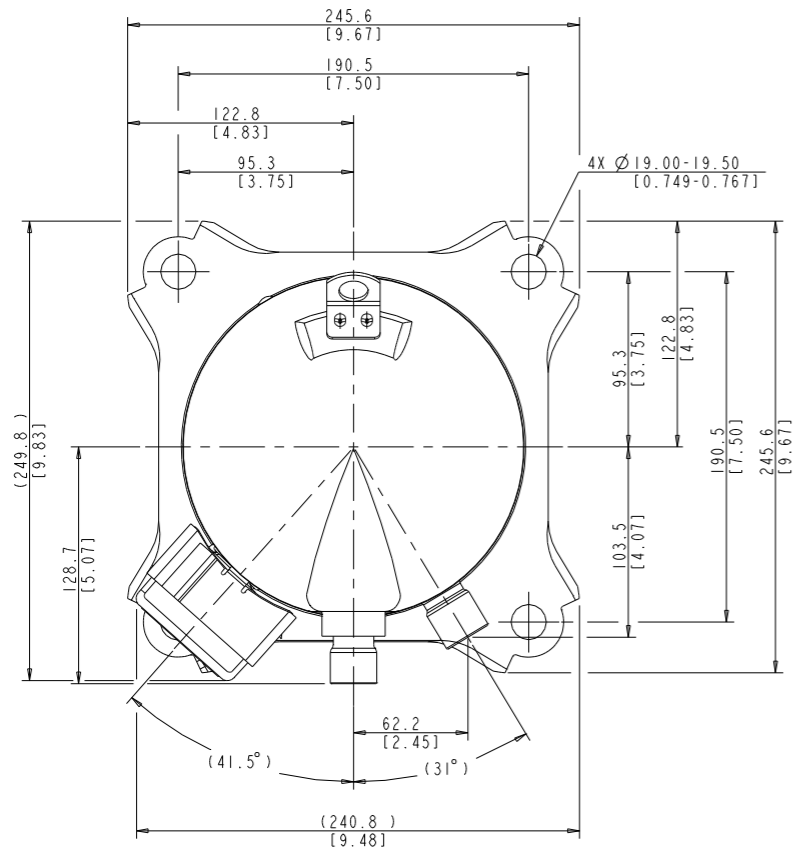


MODEL NUMBER
 ZR80KW-PFV
 ZR81KC/KCE-TFD, TFE, TFS, TF7

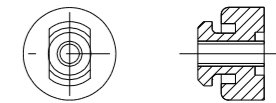
SPECIFICATIONS	
ES NO.	DESCRIPTION
ES92-155	CONVERSION-METRIC



Ø17.45 PIN CIRCLE [Ø0.687]
 MODELS: TFD, TFE, TFM, TF7
 Ø13.46 PIN CIRCLE [Ø0.530]
 MODELS: PFV, PFJ, TFW, TFS

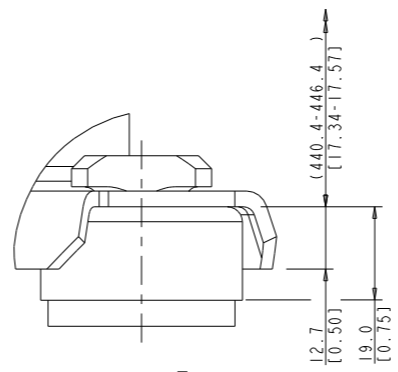
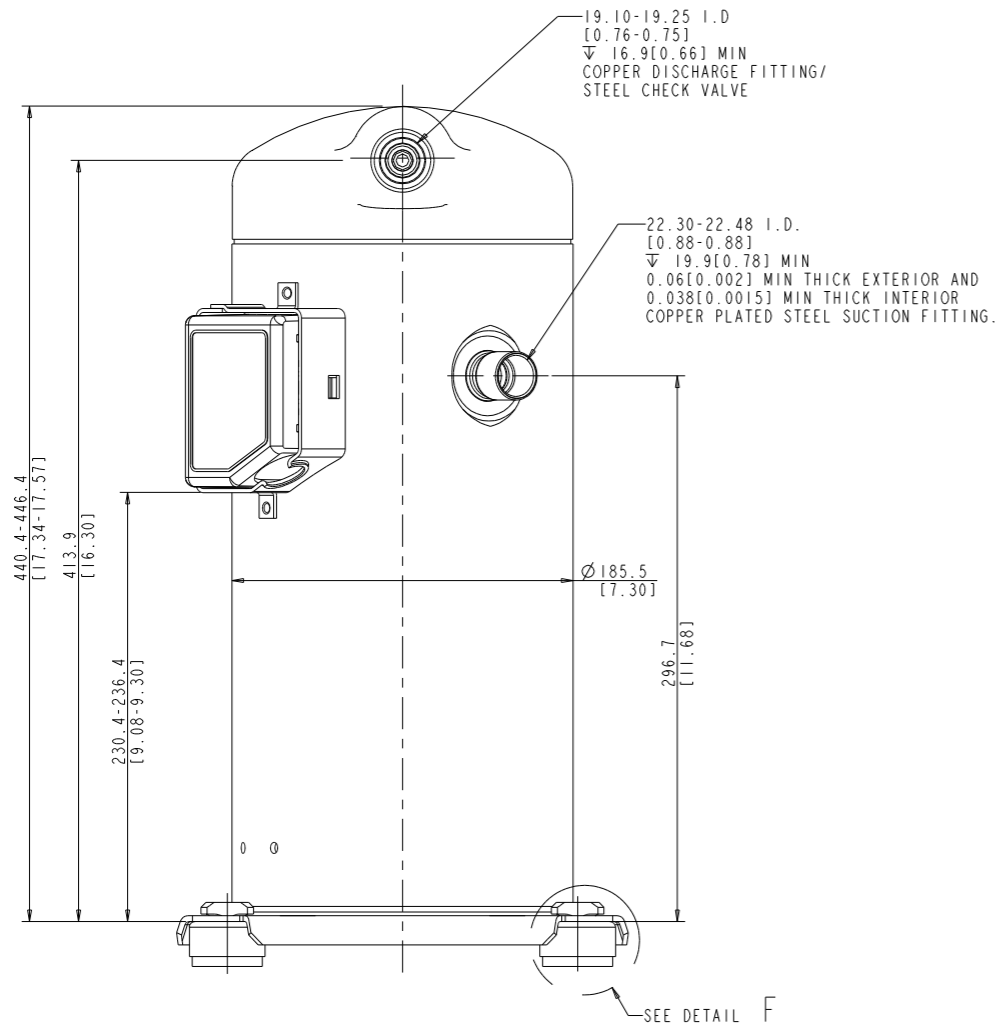
- NOTES:
- ALL TOLERANCES ±1.50 [0.060] UNLESS OTHERWISE SPECIFIED.
 - DUE TO ACCUMULATED ASSEMBLY TOLERANCES THE LISTED COMPONENTS MAY VARY FROM THE MOUNTING HOLES AS SHOWN BELOW:
 - ALL FITTINGS : ±3.0 [0.12]
 - MOUNTING KIT.
 - TUBE ENDS MUST BE PLUGGED.

GROMMET DUROMETER	4 FOOT KIT
35-45	527-0116-00

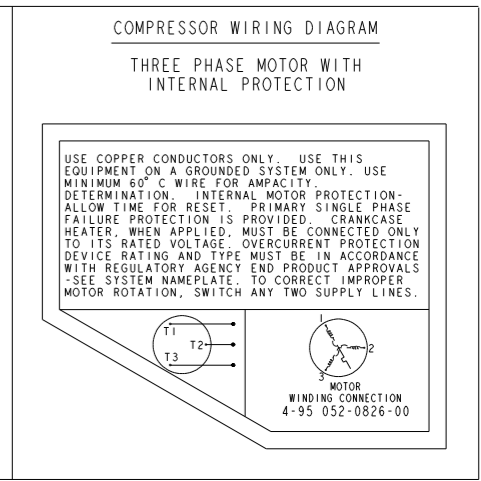
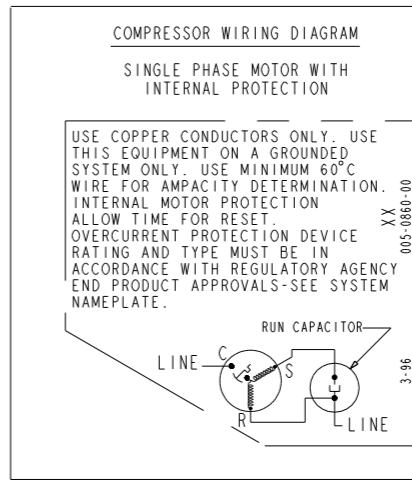


T'BOX LAYOUT
 OPTIONAL
 SCALE 3:2

T'BOX LAYOUT
 STANDARD
 SCALE 3:2



DETAIL F
 SCALE 2:1



INTERPRET PER ASME Y14.5M-1994 AND EMERSON CLIMATE TECHNOLOGIES, INC. DESIGN STANDARDS DS2002 DO NOT SCALE DRAWING THIRD ANGLE PROJECTION

UNLESS OTHERWISE SPECIFIED DIMENSIONS ARE MILLIMETER OR (INCH)

TOLERANCES:
 1-PLACE ±
 2-PLACE ±
 ANGULAR ± N/A

ENG NOTICE NO.	REV. NO.	REVISIONS	DATE	BY	CHKD	APPR
32-0906-047	12	CHANGED FORMAT FOR PROJECT INC	02-23-07	SVK	CHK	RST
32-1205-047	11	REVISED DIMENSIONS AND NOTES	12-14-05	BMK	GDD	RST
32-1004-105	10	DIM. WAS 131.8	10-14-04	TDS	GD	RST
32-0603-045	9	REDRAWN; WAS: ZR80KC NOW: ZR80KW	06-10-03	DF	GD	RST
32-0795-047	0	RELEASED	04-18-96	MBM	GD	RST

CONFIDENTIALITY NOTICE
 THIS DRAWING AND INFORMATION CONTAINED HEREIN ARE THE EXCLUSIVE PROPERTY OF EMERSON CLIMATE TECHNOLOGIES, INC. AND SHALL BE RETURNED UPON DEMAND AND SHALL NOT BE REPRODUCED IN WHOLE OR IN PART, DISCLOSED TO ANYONE ELSE OR USED, WITHOUT THE WRITTEN CONSENT OF EMERSON CLIMATE TECHNOLOGIES, INC.

MATERIAL SPECIFICATION: N/A

DRAWN BY: OTL
 DATE: 04-04-03
 SCALE: 3:4

SUPERSEDES DWG. NO. / REV. NO.: 497-2624-00 / 8
 DATE FORMAT: MM-DD-YY
 DRAWING NUMBER: 497-2624-00
 SHEET 1 OF 1

TITLE: REF DWG-WELD COMP ASSM