

MODEL NUMBER	
ZR45KC/KCE-PFV,TFD,TFE,TF5	
ZR45K3-PFJ,PFV,TFD,TF5	
ZR45K3E-PFJ	
ZR47KC/KCE-PFV,TF5,TFE,TFD,TF7	
ZR47K3/K3E-PFV,PFJ,TF5,TFE,TFD	
ZR48KC-PFV	
ZR48KH-TFD	
ZR48KC/KCE-TFD,TFE,TF5,TF7	
ZR48K3/K3E-PFJ,PFV,PFZ,TFD,TFE,TF5	
ZR61KF-TFP	

SPECIFICATIONS	
ES NO.	DESCRIPTION
ES92-155	CONVERSION-METRIC

NOTES:

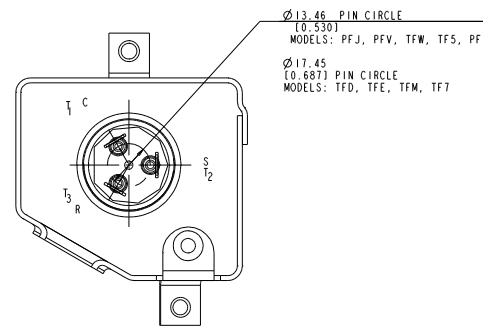
1 ALL TOLERANCES ±1.50 (0.060) UNLESS OTHERWISE SPECIFIED.

DUE TO ACCUMULATED ASSEMBLY TOLERANCES THE LISTED COMPONENTS MAY VARY FROM THE MOUNTING HOLES AS SHOWN BELOW:

◇ ALL FITTINGS : ±3.0 (0.12)

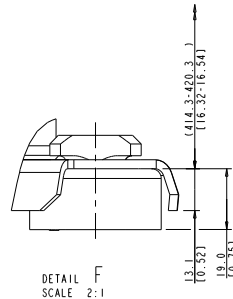
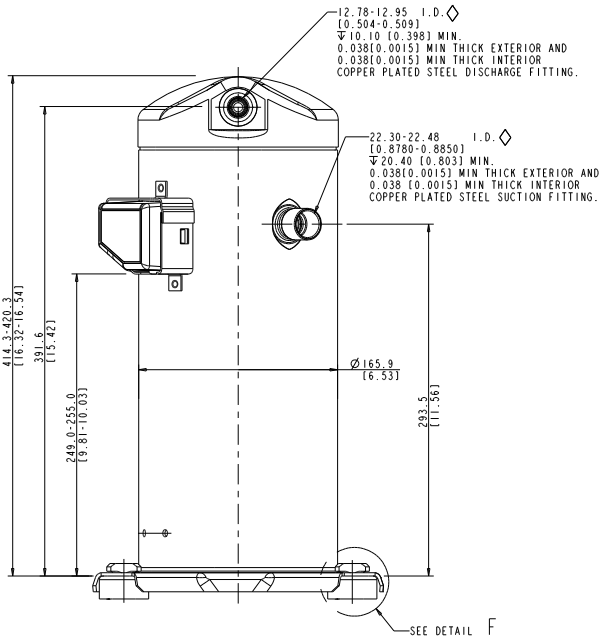
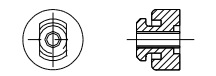
2 MOUNTING KIT.

3. TUBE ENDS MUST BE PLUGGED.

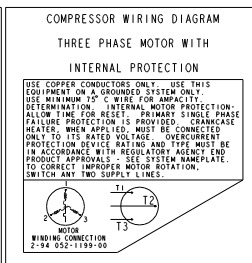
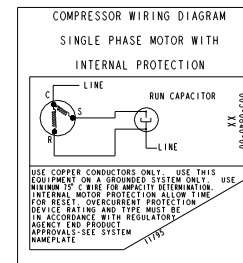


T-BOX LAYOUT
STANDARD
SCALE 2:1

GROMMET DIUROMETER		4 FOOT KIT	
35-45		527-0116-00	



DETAIL F
SCALE 2:1



ECR000362	54	ADDED MODEL ZR48K3-PF2	04-04-07	SUP	EC	NJR
32-0506-105	53	COMMONIZATION OF 497 PRINTS	08-02-06	SUP <td>EC <td>RST</td> </td>	EC <td>RST</td>	RST
32-0805-018	52	REMOVED ZR48KCE-PFV	10-28-05	TS	GD	RT
32-0405-044	51	ADDED ZR45K3-TFD/TF5	10-28-05	NA	GD	RT
32-0305-054	50	REMOVED OIL SPECIFICATION	03-14-05	PC	GD	RT
32-1204-007	49	ADD ZR45K3E-PFJ	12-2-04	NA	GD	RT
32-0104-034	48	OIL SPECIFICATION REVISED	01-16-04	XO	GD	RT
32-0203-064	47	REDRAWN AND REVISED	03-20-03	MMO	GD	RT
32-0305-045	0	RELEASED	05-11-95	RE	GD	RT

EMERSON Climate Technologies

CapelLine

INTERPRET PER ASME Y14.1M-1994 AND Y14.100-1994
EMERSON CLIMATE TECHNOLOGIES, INC.
DESIGN STANDARDS 022092
NO. 001 SCALE DRAWING

THIS DRAWING IS THE EXCLUSIVE PROPERTY OF EMERSON CLIMATE TECHNOLOGIES, INC. AND SHALL BE RETURNED UPON DEMAND AND SHALL NOT BE REPRODUCED OR TRANSMITTED IN ANY FORM OR BY ANY MEANS, WITHOUT THE WRITTEN CONSENT OF EMERSON CLIMATE TECHNOLOGIES, INC.

DATE: 10-28-05
SCALE: 3:4
DATE FORMAT: MM-DD-YY

TITLE: REF DWG-WELD COMP ASSM
DRAWN BY: N/A
CHECKED BY: N/A
DATE: 10-28-05
SCALE: 3:4
DATE FORMAT: MM-DD-YY

10

THIS DRAWING IS THE EXCLUSIVE PROPERTY OF EMERSON CLIMATE TECHNOLOGIES, INC. AND SHALL BE RETURNED UPON DEMAND AND SHALL NOT BE REPRODUCED OR TRANSMITTED IN ANY FORM OR BY ANY MEANS, WITHOUT THE WRITTEN CONSENT OF EMERSON CLIMATE TECHNOLOGIES, INC.

DATE: 10-28-05
SCALE: 3:4
DATE FORMAT: MM-DD-YY

TITLE: REF DWG-WELD COMP ASSM
DRAWN BY: N/A
CHECKED BY: N/A
DATE: 10-28-05
SCALE: 3:4
DATE FORMAT: MM-DD-YY

UNCONTROLLED DO NOT MODIFY