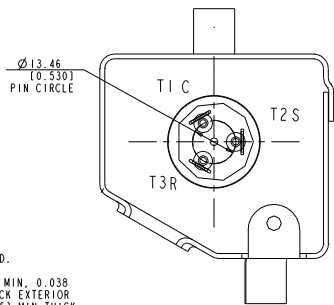
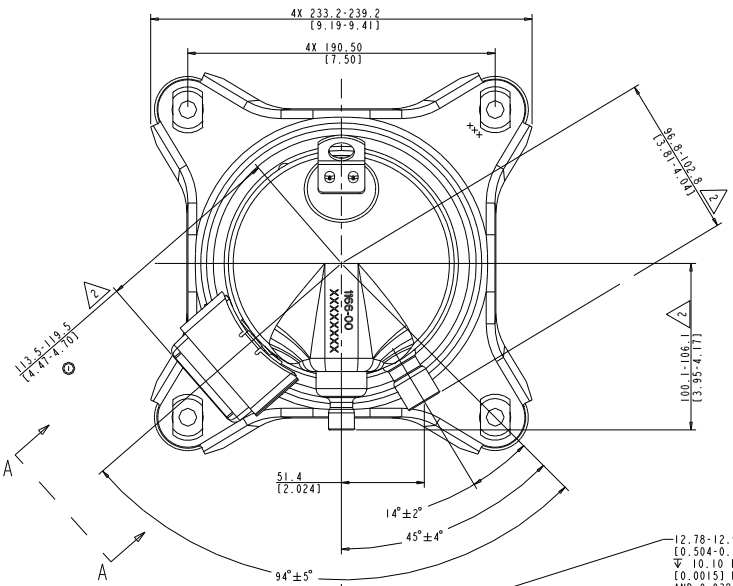


MODEL NUMBER

ZR30KS-PFZ
ZR30KS-TFD
ZR32KS-PFZ
ZR32KS-TFD

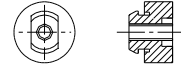
SPECIFICATIONS	
ES NO.	DESCRIPTION
ES22-122	PACKAGING
ES81-159	CLEANLINESS
ES81-250	IDENTIFICATION
ES92-155	CONVERSION-METRIC
ES92-167	REGULATORY COMPLIANCE



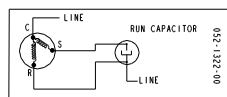
VIEW A-A
SCALE 2:1

- NOTES:
- ALL TOLERANCES $\pm 1.50 (0.060)$ UNLESS OTHERWISE SPECIFIED.
 - THE SUCTION TUBE, DISCHARGE TUBE, AND CIRCLE FENCE RADIAL DIMENSIONS ARE TO BE GAUGED FROM THE CENTER OF THE MOUNTING HOLE PATTERN.
 - TUBE ENDS MUST BE PLUGGED.
 - MOUNTING KIT:

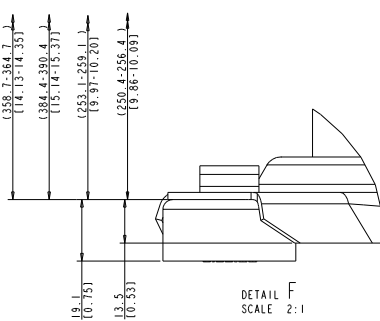
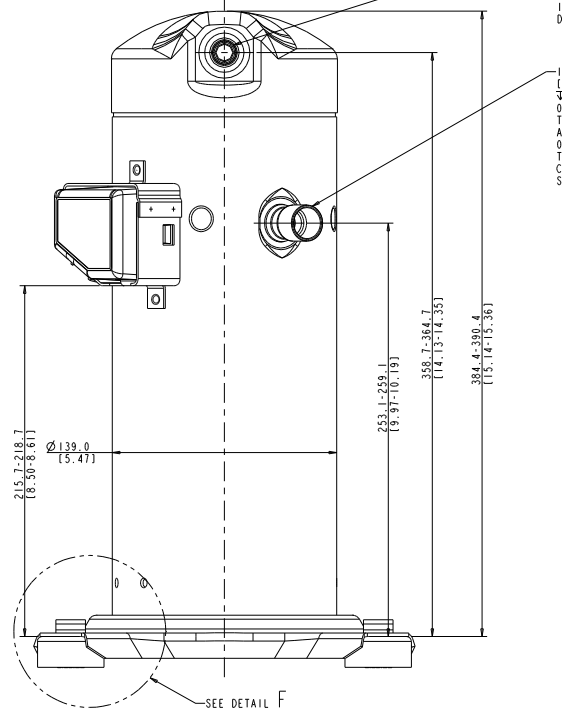
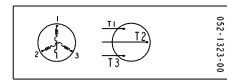
GROMMET DUROMETER	3 FOOT KIT
30-35	527-0116-05



COMPRESSOR WIRING DIAGRAM
SINGLE PHASE MOTOR WITH
INTERNAL PROTECTION



COMPRESSOR WIRING DIAGRAM
THREE PHASE MOTOR WITH
INTERNAL PROTECTION



DETAIL F
SCALE 2:1

SEE DETAIL F



INTERPRET PER ASME Y14.5M-2018 AND EMERSON CLIMATE TECHNOLOGIES INC. DESIGN STANDARDS 000002-00 BUT NOT SCALE DRAWING
THIRD ANGLE PROJECTION

32-1106-002	1	CHANGE CIRCLE FENCE TO TERMINAL BOX	12-01-06	WH	BL	WS
32-0306-102	0	RELEASED	04-20-06	FH	BL	WS

UNCONTROLLED - DO NOT MODIFY