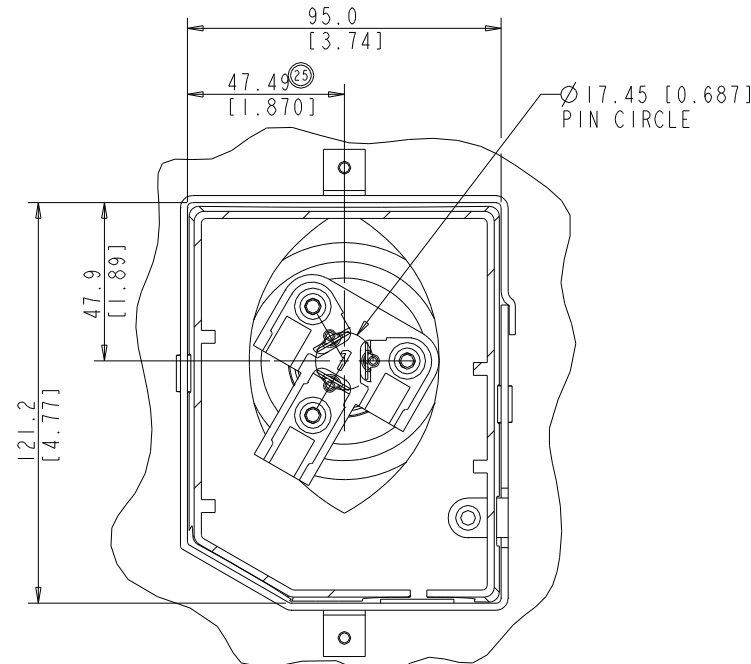
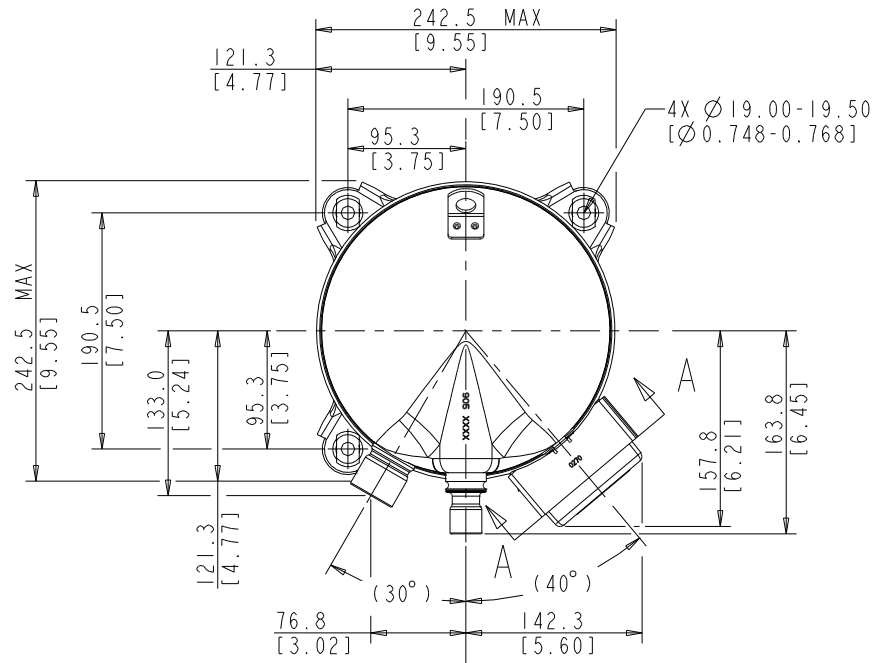


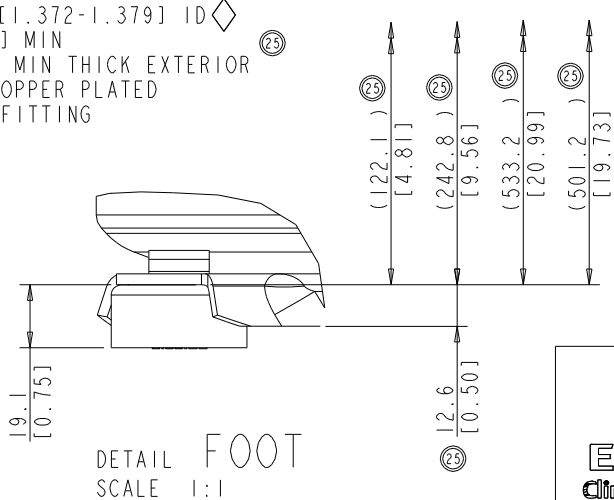
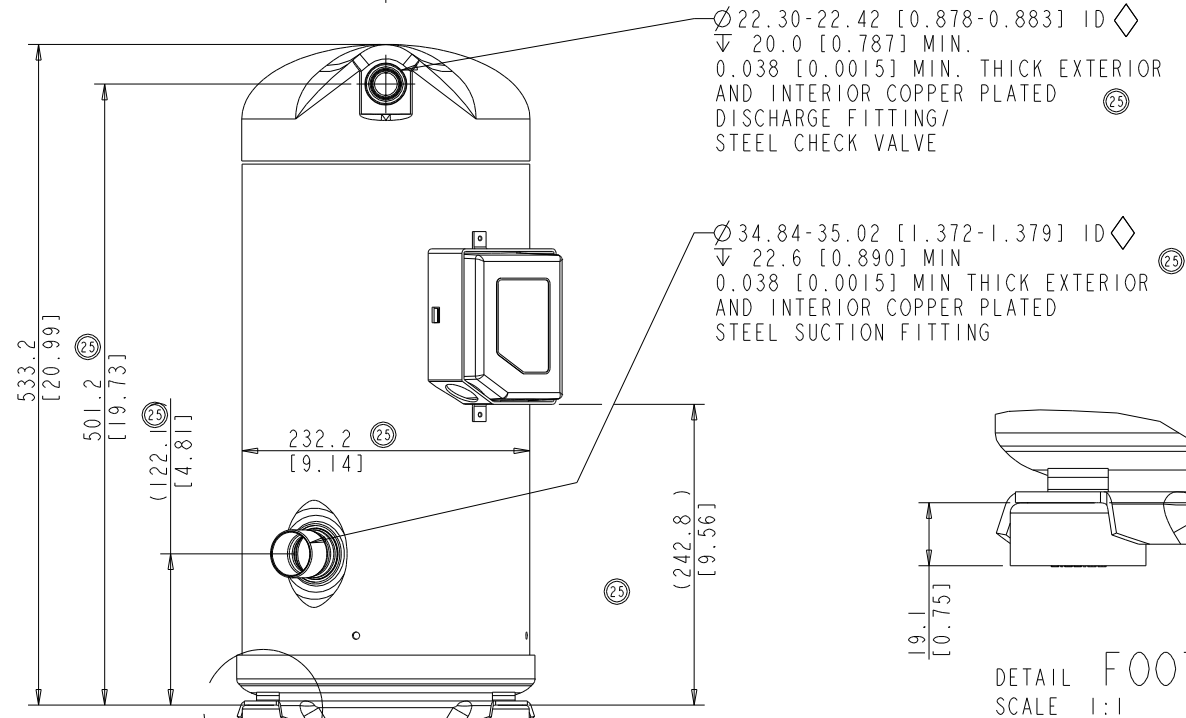
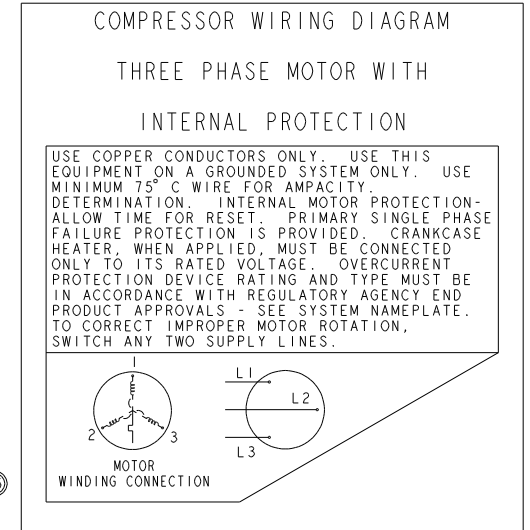
MODEL NUMBER
ZR125KC/KCE
ZR108KC/KCE
ZR144KC/KCE
ZP120KCE
ZP103KCE
ZP137KCE

SPECIFICATIONS	
ES NO.	DESCRIPTION
ES92-155	CONVERSION-METRIC

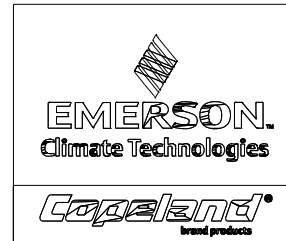


T-BOX LAYOUT STANDARD
SECTION A-A
SCALE 1:1

- NOTES:
- ① ALL TOLERANCES ± 1.5 [0.06] UNLESS OTHERWISE SPECIFIED. DUE TO ACCUMULATED ASSEMBLY TOLERANCES THE LISTED COMPONENTS MAY VARY FROM THE MOUNTING HOLES AS TABULATED.
 - ◇ SUCTION FITTING ± 3.0 [0.12]
 - ◇ DISCHARGE FITTING ± 3.0 [0.12]
 - ② MOUNTING KIT: 527-0116-00
 - 3. TUBE ENDS MUST BE PLUGGED.



SEE DETAIL FOOT



INTERPRET PER ASME Y14.5M-1994 AND EMERSON CLIMATE TECHNOLOGIES, INC. DESIGN STANDARDS DS2002 DO NOT SCALE DRAWING

THIRD ANGLE PROJECTION

CRITICAL PRODUCT CHARACTERISTIC

UNLESS OTHERWISE SPECIFIED DIMENSIONS ARE MILLIMETER OR (INCH)

TOLERANCES:
1-PLACE \pm N/A
2-PLACE \pm N/A
ANGULAR \pm N/A

ECN000821	25	REVISED AND REDRAWN	11-28-07	PBM	NJG	KJR
32-0897-016	0	RELEASED	11-20-98	LMW	RST	RST
ENG NOTICE NO.	REV. NO.	REVISIONS	DATE	BY	CHKD	APPR
15		CONFIDENTIALITY NOTICE				
THIS DRAWING AND INFORMATION CONTAINED HEREIN ARE THE EXCLUSIVE PROPERTY OF EMERSON CLIMATE TECHNOLOGIES, INC. AND SHALL BE RETURNED UPON DEMAND AND SHALL NOT BE REPRODUCED IN WHOLE OR IN PART, DISCLOSED TO ANYONE ELSE OR USED, WITHOUT THE WRITTEN CONSENT OF EMERSON CLIMATE TECHNOLOGIES, INC.						
MATERIAL SPECIFICATION		DRAWN BY	SUPERSEDES DWG. NO. / REV. NO.			
N/A		PBM	497-2679-00 / 24			
N/A		DATE	SCALE	DATE FORMAT:		
		11-28-07	3:8	MM-DD-YY		
TITLE			DRAWING NUMBER	SHEET 1 OF 1	DWG	
REF DWG-WELD COMP ASSM			497-2679-00	4		
		SIZE		4		